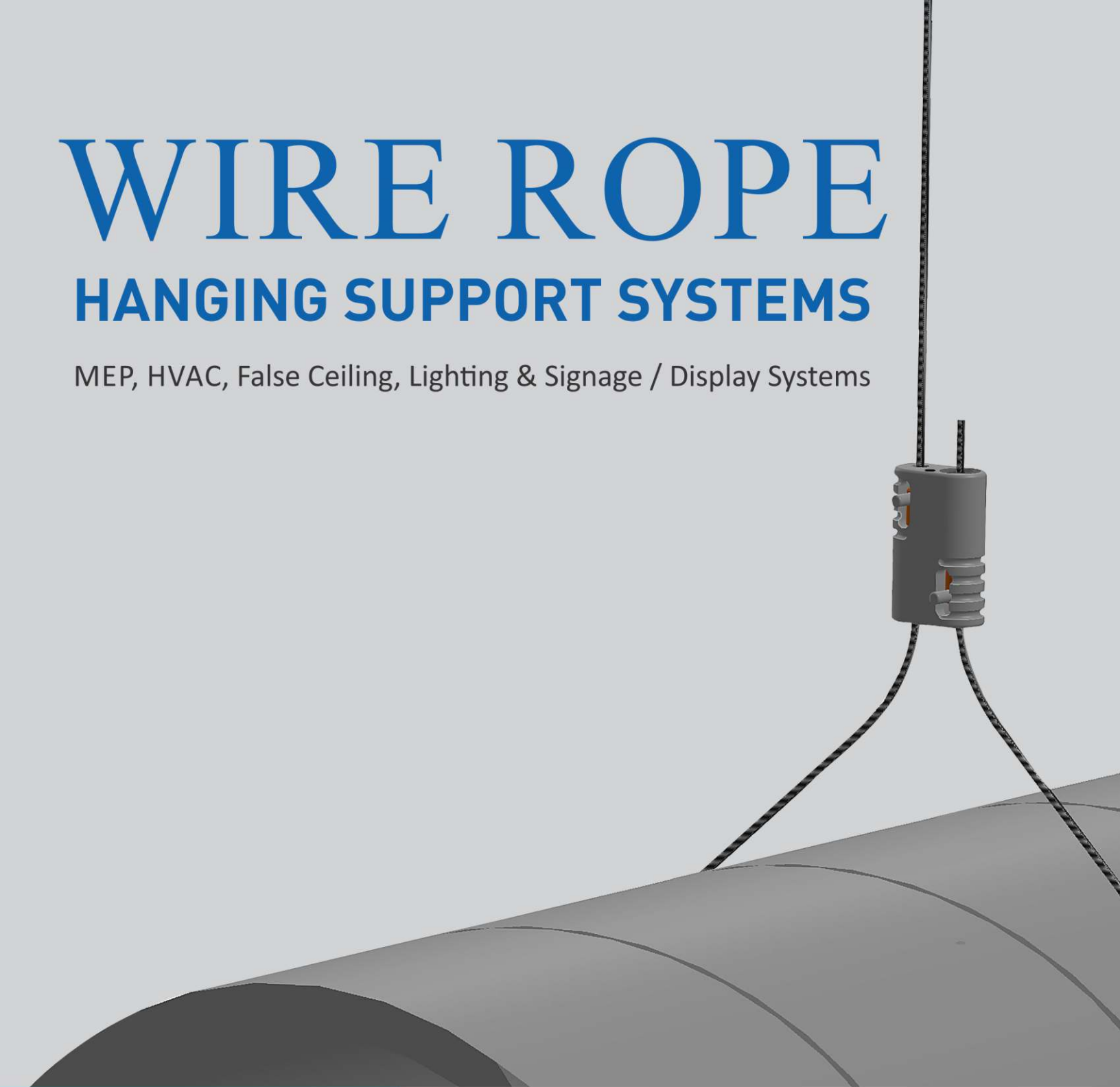


WIRE ROPE

HANGING SUPPORT SYSTEMS

MEP, HVAC, False Ceiling, Lighting & Signage / Display Systems



**TECHNICAL
CATALOUGE
2018**

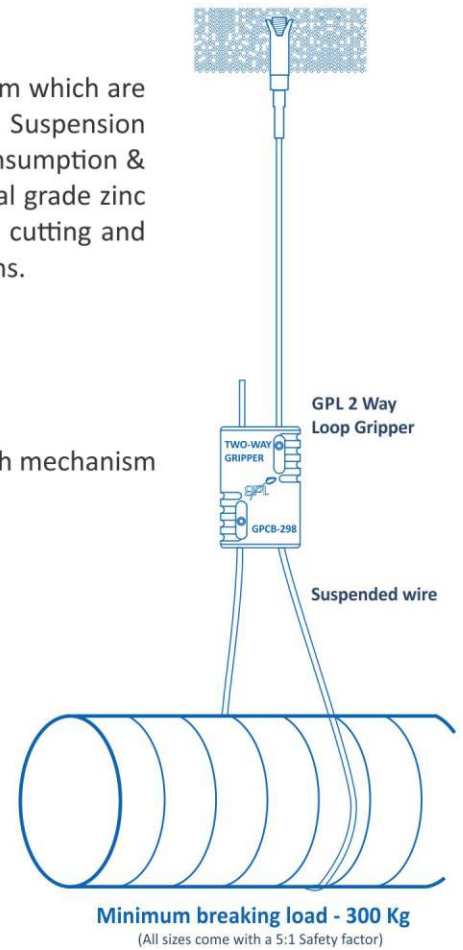
**golden
peacock**
OVERSEAS LIMITED

Introduction

GPL 2 way loop grippers are unique ball-bearing, tool less wire gripping mechanism which are designed specifically for suspending high load for variety of applications. GPL Suspension Systems helps adopting eco-friendly approach by drastically reducing the steel consumption & reducing carbon foot prints due to ease of logistics. The body is made from special grade zinc material which has excellent anti-corrosion properties. It eliminates the need for cutting and sawing off threaded rods for suspension; simplifying and speeding up new installations.

• ADVANTAGES OF GPL SUSPENSION SYSTEM

- Aesthetically appealing and easy to handle.
- It is cost effective way for installation.
- Ball bearing mechanism offers higher minimum breaking loads compare to teeth mechanism
- Saves time in installation/alignment unlike traditional threaded rods/angles
- Built-in pin for tool less adjustments with optional safety lock.
- Through hole on all the three models to make "8" type double loop assembly.
- Tested for 5:1 load safety factor



GPCB-298



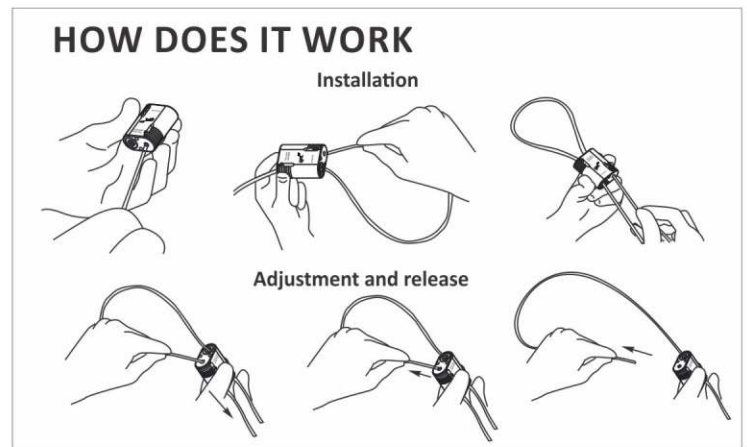
GPCB-297



GPCB-289

IDEAL SOLUTION FOR THE FOLLOWING:

- HVAC ducting
- Electrical (cable trays/baskets, lighting)
- Signage
- Fencing and railing
- Mechanical (copper pipes, steel pipes, intermediary supports, bracing & pipe rack)
- Catenaries/horizontal wire rope solutions
- Suspended ceilings (false ceiling, acoustic baffles, etc)
- Sealing application (shipping container etc)



TECHNICAL INFORMATION (LOAD RATINGS)

Product Code	Wire Range	Safety Factor	Minimum Safe Working Load (KG)
GPCB 289	1.5 - 2.0 mm	5:1	Up to 56
GPCB 297	2.4 - 3.2 mm	5:1	Up to 113
GPCB 298	4.0 - 5.0 mm	5:1	Up to 300

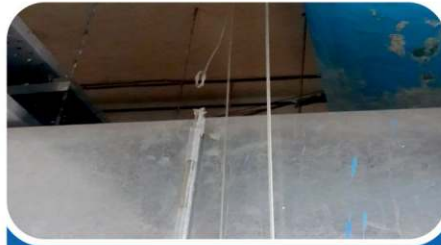
Note : The correct gripper and wire rope combination should be used to ensure desired minimum safe working loads.

Mechanical

(HVAC, Pipes, Catenaries)



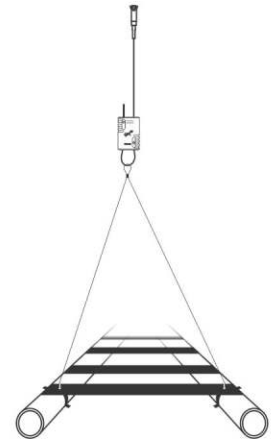
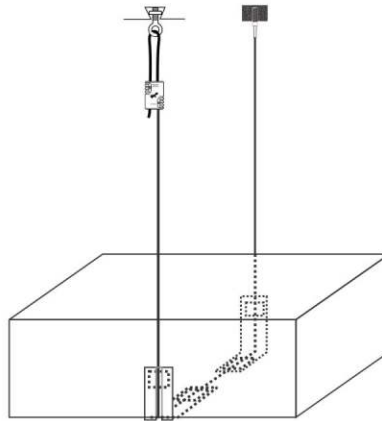
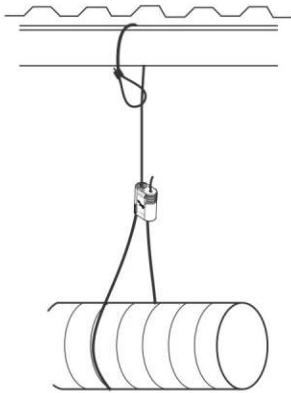
Round Ducting



Rectangular Ducting



Steel Pipe



Electrical

(Cable Trays/Baskets, Lighting, Swivels, Canopies, Terminal Blocks Collage, Holders Collage)



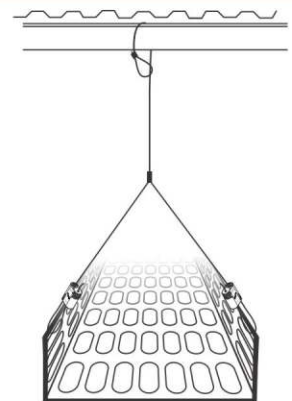
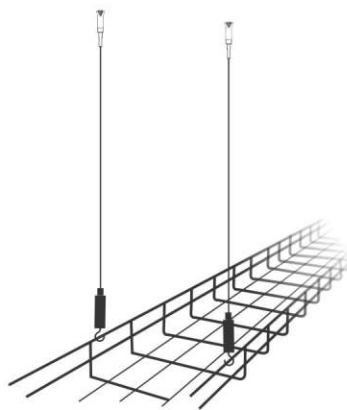
Lighting



Ladder Cable Tray



Perforated Cable Tray



Suspended Ceilings

(False Ceiling, Acoustic Baffles etc)



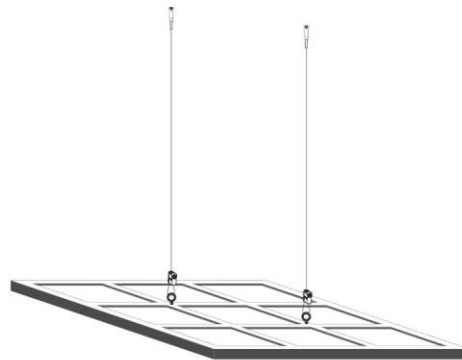
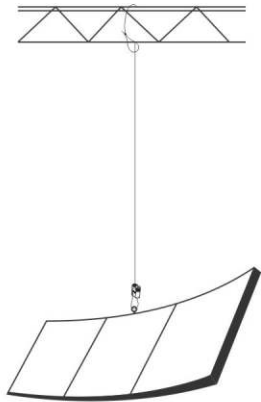
Acoustic Panels



False Ceiling



Acoustic Baffles



Signage & Display System



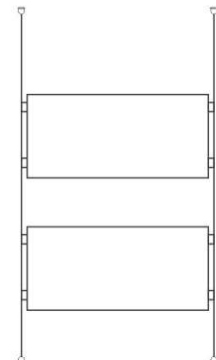
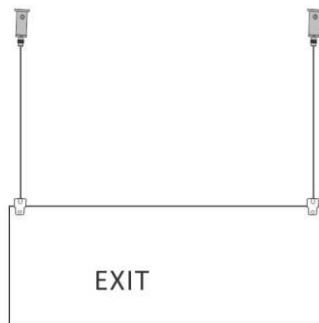
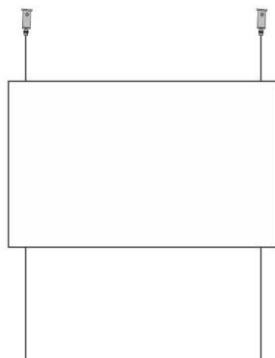
Display System



Signage

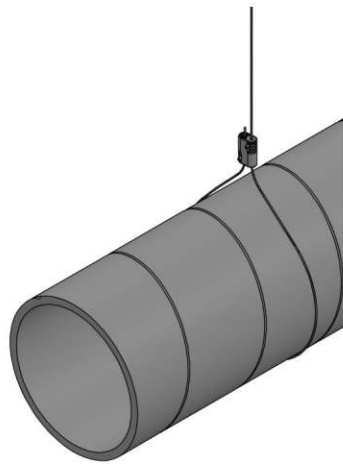


Signage & Display System



Technical Data

GPL CABLE BLOCKER



Function:

Recommended for the suspension of HVAC, electrical and mechanical services (For indoor & stationary setting).

Applications:

Suitable for locking wire rope to insure desired safe working loads.

Technical Data:

- SMACNA compliance - all products carry a 5:1 safety factor
- As per UL 1598, CSA C22.2 No.250.0-08
- Tested & Certified by TUV Nord.

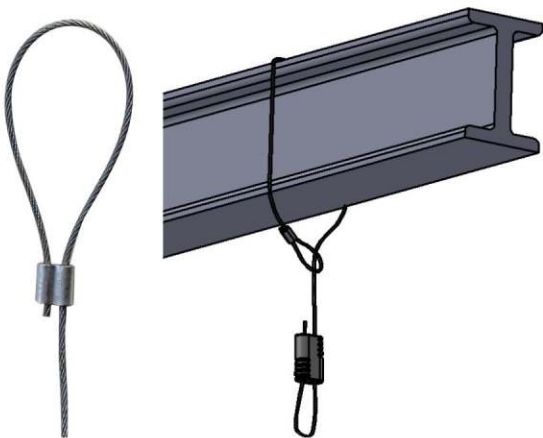
Material Specification

Housing	Type ZA2 Zinc / Brass
Locking Mechanism	Ball Bearing
Release Mechanism	Inbuilt release key
Spring	Stainless Steel
Additional Safety Lock	Brass

Product	GPCB 289	GPCB 297	GPCB 298
Wire Range (mm)	1.5 - 2.0	2.4 - 3.2	4.0 - 5.0
Safe Working Load (KG)	Up to 56	Up to 113	Up to 300

LOOP

Wire rope crimped with pre-formed loop



Function:

Recommended for the suspension of HVAC, electrical and mechanical services.

Applications:

Purlins, beams, roof trusses and other accessible building features..

Technical Data:

- SMACNA compliance - all products carry a 5:1 safety factor
- As per UL 1598, CSA C22.2 No.250.0-08
- Tested & Certified by TUV Nord.

Material Specification

Ferrule	MS-En8D White Zinc (Hexagonal Crimped)
Wire rope	MS Galvanized IS228,(ASTM-D117)-2016, IS-6745-2011

Wire Diameter	1.5 mm	2mm	3.2mm	5mm
GPL Cable Blocker	GPCB-305	GPCB-289	GPCB-297	GPCB-298
Wire Rope Construction	7 x 7	7 x 7	7 x 7	7 x 7
Safe Working Load (KG)	Up to 30	Up to 56	Up to 113	Up to 300

TOGGLE

Wire rope crimped with end stopper and toggle plate



Function:

Recommended for the suspension of HVAC, electrical and mechanical services

Applications:

Suitable for profile roof cladding, light fittings, luminaires and other cavities.

Technical Data:

- SMACNA compliance - all products carry a 5:1 safety factor
- As per UL 1598, CSA C22.2 No.250.0-08
- Tested & Certified by TUV Nord.

Material Specification

Toggle	MS White Zinc
End Stopper	MS Zn Trivalent
Wire rope	MS Zn Trivalent IS228,(ASTM-D117)-2016, IS-6745-2011

Wire Diameter	1.5 mm	2mm	3.2mm
GPL Cable Blocker	GPCB-305	GPCB-289	GPCB-297
Wire Rope Construction	7 x 7	7 x 7	7 x 7
Safe Working Load (KG)	Up to 30	Up to 56	Up to 113

Y-FIT TOGGLE

Wire rope crimped with end stoppers and toggle plates.



Function:

Recommended for the suspension of HVAC, electrical and mechanical services (For indoor & stationary setting).

Applications:

Suitable for light fittings, luminaries and other cavities.

Technical Data:

- SMACNA compliance - all products carry a 5:1 safety factor
- As per UL 1598, CSA C22.2 No.250.0-08
- Tested & Certified by TUV Nord.

Material Specification

Toggle	MS White Zinc
Wire rope	MS Galvanized IS228,(ASTM-D117)-2016, IS-6745-2011
End stopper	MS Zn Trivalent
Crimping	Hexagonal & Square

Wire Diameter	1.5 mm	2mm	3.2mm
GPL Cable Blocker	GPCB-305	GPCB-289	GPCB-297
Wire Rope Construction	7 x 7	7 x 7	7 x 7
Safe Working Load (KG)	Up to 30	Up to 56	Up to 113

V-FIT TOGGLE

Wire rope crimped with end stoppers and toggle plates.



Function:

Recommended for the suspension of HVAC, electrical and mechanical services (For indoor & stationary setting).

Applications:

Suitable for light fittings, luminaries and other cavities.

Technical Data:

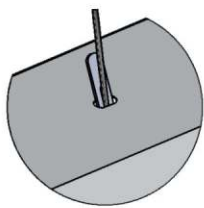
- SMACNA compliance - all products carry a 5:1 safety factor
- As per UL 1598, CSA C22.2 No.250.0-08
- Tested & Certified by TUV Nord.

Material Specification

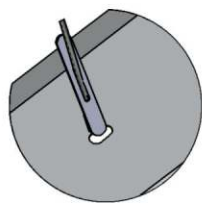
Toggle	MS White Zinc
Thimble	MS White Zn
Wire rope	MS Galvanized IS228,(ASTM-D117)-2016, IS-6745-2011
End stopper	MS Zn Trivalent
Crimping	Hexagonal & Square

Wire Diameter	1.5 mm	2mm	3.2mm
GPL Cable Blocker	GPCB-305	GPCB-289	GPCB-297
Wire Rope Construction	7 x 7	7 x 7	7 x 7
Safe Working Load (KG)	Up to 30	Up to 56	Up to 113

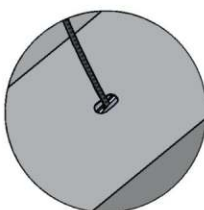
Installation



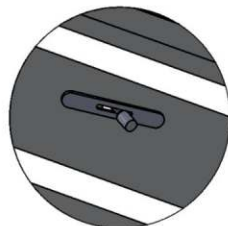
A



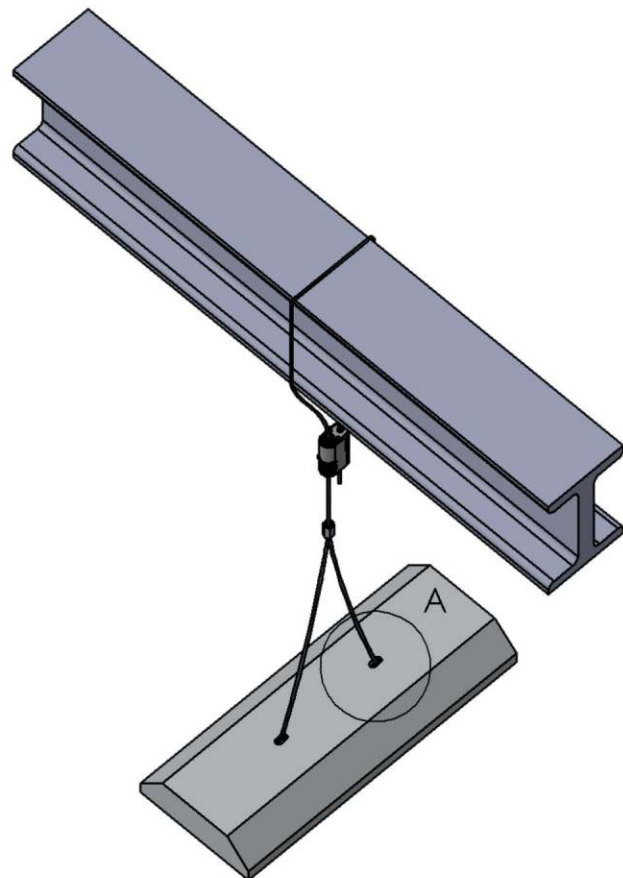
B



C



D



SNAPHOOK

Wire rope crimped with snaphook.



Function:

Recommended for the suspension of HVAC, electrical and mechanical services.

Applications:

Suitable for use on cable trays etc.

Technical Data:

- SMACNA compliance - all products carry a 5:1 safety factor
- As per UL 1598, CSA C22.2 No.250.0-08
- Tested & Certified by TUV Nord.

Material Specification

Hook	MS-En8D White Zinc
Wire rope	MS Galvanized IS228,(ASTM-D117)-2016, IS-6745-2011
Crimping	Hexagonal

Wire Diameter	1.5mm	2mm	3.2mm
GPL Cable Blocker	GPCB-305	GPCB-289	GPCB-297
Safe Working Load (KG)	Up to 30	Up to 56	Up to 113
Wire Rope Construction	7 x 7	7 x 7	7 x 7

Y-FIT SNAPHOOK

Wire rope crimped with snaphooks.



Function:

Recommended for the suspension of HVAC, electrical and mechanical services.

Applications:

Suitable for use on cable trays etc.

Technical Data:

- SMACNA compliance - all products carry a 5:1 safety factor
- As per UL 1598, CSA C22.2 No.250.0-08
- Tested & Certified by TUV Nord.

Material Specification

Hook	MS-En8D White Zinc
Wire rope	MS Galvanized IS228,(ASTM-D117)-2016, IS-6745-2011
Crimping	Hexagonal

Wire Diameter	1.5mm	2mm	3.2mm
GPL Cable Blocker	GPCB-305	GPCB-289	GPCB-297
Safe Working Load (KG)	Up to 30	Up to 56	Up to 113
Wire Rope Construction	7 x 7	7 x 7	7 x 7

V-FIT SNAPHOOK

Wire rope crimped with snaphooks.



Function:

Recommended for the suspension of HVAC, electrical and mechanical services.

Applications:

Suitable for use on cable trays etc.

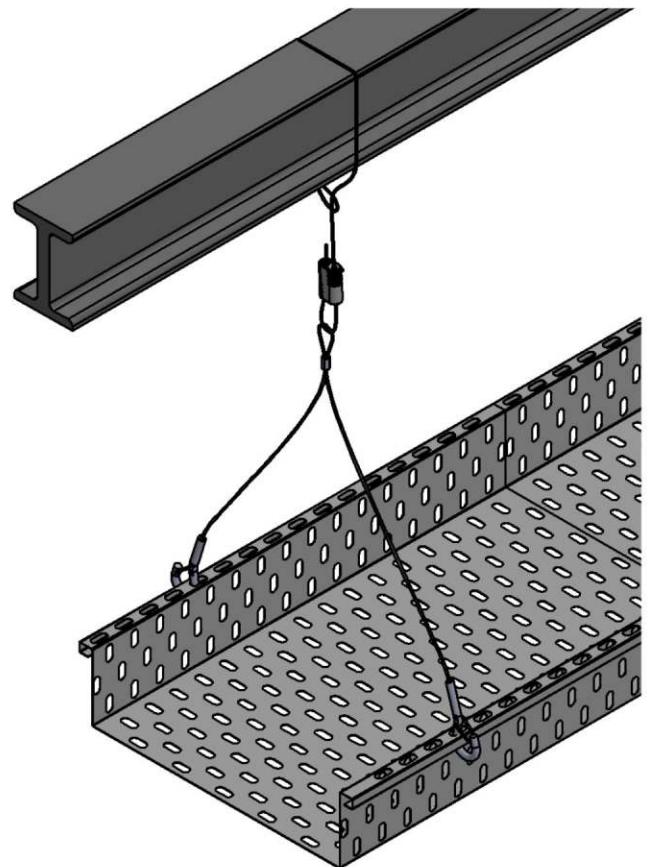
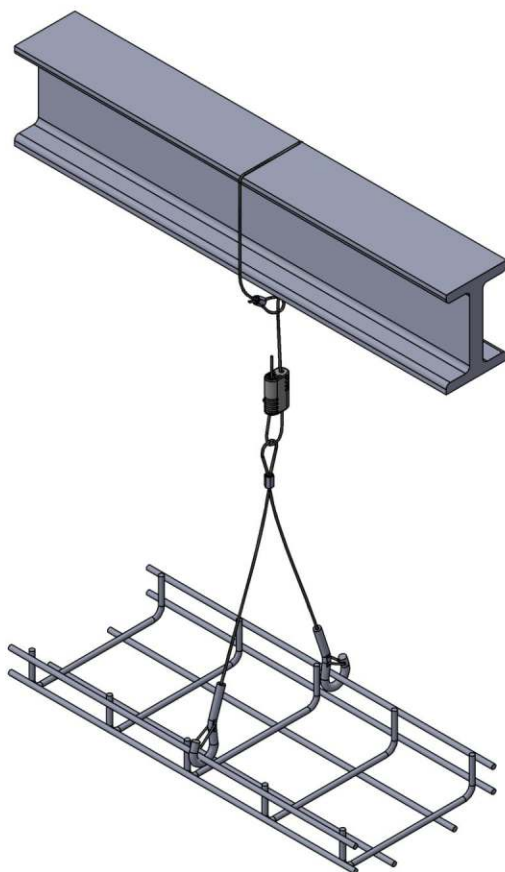
Technical Data:

- SMACNA compliance - all products carry a 5:1 safety factor
- As per UL 1598, CSA C22.2 No.250.0-08
- Tested & Certified by TUV Nord.

Material Specification

Hook	MS-En8D White Zinc
Thimble	MS White Zn
Wire rope	MS Galvanized IS228,(ASTM-D117)-2016, IS-6745-2011
Crimping	Hexagonal

Wire Diameter	1.5mm	2mm	3.2mm
GPL Cable Blocker	GPCB-305	GPCB-289	GPCB-297
Safe Working Load (KG)	Up to 30	Up to 56	Up to 113
Wire Rope Construction	7 x 7	7 x 7	7 x 7



STUD

Wire rope crimped with M6, M8, M10 stud



Function:

Recommended for the suspension of HVAC, electrical and mechanical services (For indoor & stationary setting).

Applications:

Concrete ceilings, metal decking and pressed metal brackets (with nuts).

Technical Data:

- SMACNA compliance - all products carry a 5:1 safety factor
- Tested & Certified by TUV Nord.
- As per UL 1598, CSA C22.2 No.250.0-08

Material Specification

Stud MS-En1A White Zinc

Wire Rope MS Galvanized IS228,(ASTM-D117)-2016, IS-6745-2011

Thread	M6	M8	M8	M10
Wire Range	1.5 mm	2 mm	3.2 mm	5 mm
GPL Cable Blocker	GPCB-305	GPCB-289	GPCB-297	GPCB-298
Wire Rope Construction	7 x 7	7 x 7	7 x 7	7 x 7
Save Working Load (Kg)	Up to 30	Up to 56	Up to 113	Up to 300

Y-FIT STUD

Wire rope crimped with M6,M8 stud



Function:

Recommended for the suspension of HVAC, electrical and mechanical services (For indoor & stationary setting).

Applications:

Suitable for use on existing metal brackets.

Technical Data:

- SMACNA compliance - all products carry a 5:1 safety factor
- As per UL 1598, CSA C22.2 No.250.0-08
- Tested & Certified by TUV Nord.

Material Specification

Stud MS-En1A White Zinc

Wire Rope MS Galvanized IS228,(ASTM-D117)-2016, IS-6745-2011

Ferrule MS-En8D White Zinc

Crimping Hexagonal

Wire Diameter	1.5mm	2mm	3.2mm
GPL Cable Blocker	GPCB-305	GPCB-289	GPCB-297
Safe Working Load (KG)	Up to 30	Up to 56	Up to 113
Wire Rope Construction	7 x 7	7 x 7	7 x 7

V-FIT STUD

Wire rope crimped with M6, M8 stud



Function:

Recommended for the suspension of HVAC, electrical and mechanical services (For indoor & stationary setting).

Applications:

Suitable for use on existing metal brackets.

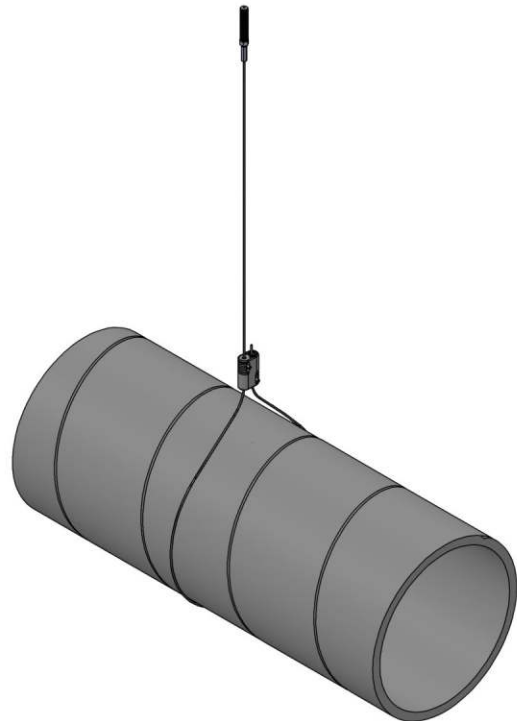
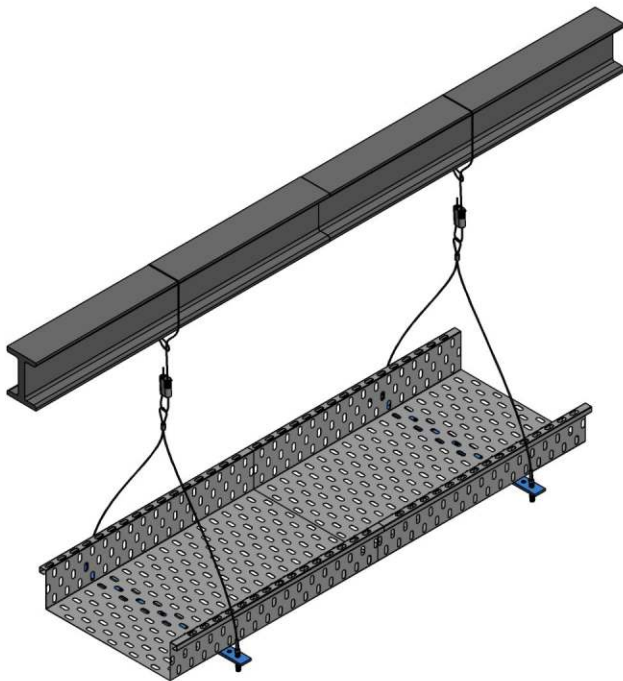
Technical Data:

- SMACNA compliance - all products carry a 5:1 safety factor
- As per UL 1598, CSA C22.2 No.250.0-08
- Tested & Certified by TUV Nord.

Material Specification

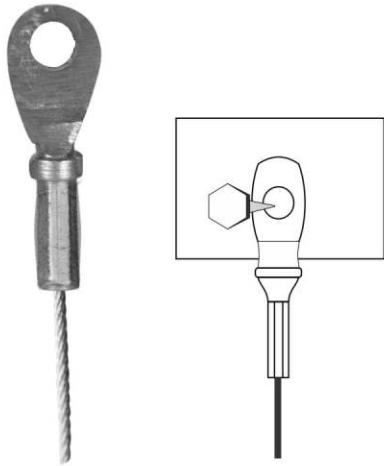
Stud	MS-En1A White Zinc
Thimble	MS White Zn
Wire Rope	MS Galvanized IS228,(ASTM-D117)-2016, IS-6745-2011
Ferrule	MS-En8D White Zinc
Crimping	Hexagonal

Wire Diameter	1.5mm	2mm	3.2mm
GPL Cable Blocker	GPCB-305	GPCB-289	GPCB-297
Safe Working Load (KG)	Up to 30	Up to 56	Up to 113
Wire Rope Construction	7 x 7	7 x 7	7 x 7



EYELET (180°)

Wire rope crimped with eyelet



Function:

Recommended for the suspension of HVAC, electrical and mechanical services.

Applications:

Suitable for a variety of applications that require bolting to brackets or fixtures.

Technical Data:

- SMACNA compliance - all products carry a 5:1 safety factor.
- Tested & Certified by TUV Nord.
- As per UL 1598, CSA C22.2 No.250.0-08

Material Specification

Eyelet MS Zn Trivalent / Cutout dia 6.5mm

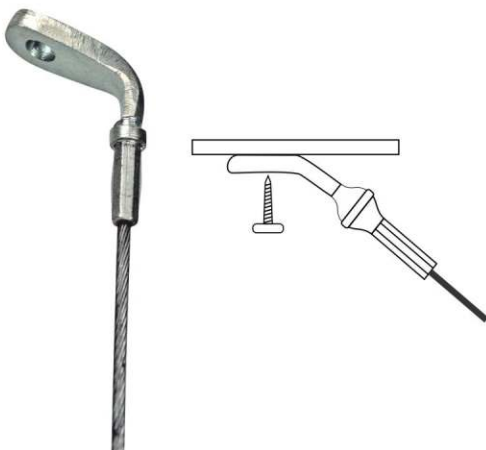
Wire Rope MS Galvanized IS228,(ASTM-D117)-2016, IS-6745-2011

Crimping Hexagonal

Wire Diameter	1.5mm	2mm	3.2mm
GPL Cable Blocker	GPCB-305	GPCB-289	GPCB-297
Safe Working Load (KG)	Up to 30	Up to 56	Up to 113
Wire Rope Construction	7 x 7	7 x 7	7 x 7

EYELET (45°)

Wire rope crimped with eyelet



Function:

Recommended for the suspension of HVAC, electrical and mechanical services.

Applications:

Suitable for a variety of applications that require bolting to brackets or fixtures.

Technical Data:

- SMACNA compliance - all products carry a 5:1 safety factor.
- As per UL 1598, CSA C22.2 No.250.0-08
- Tested & Certified by TUV Nord.

Material Specification

Eyelet MS Zn Trivalent (45°curved) / Cutout dia 6.5mm

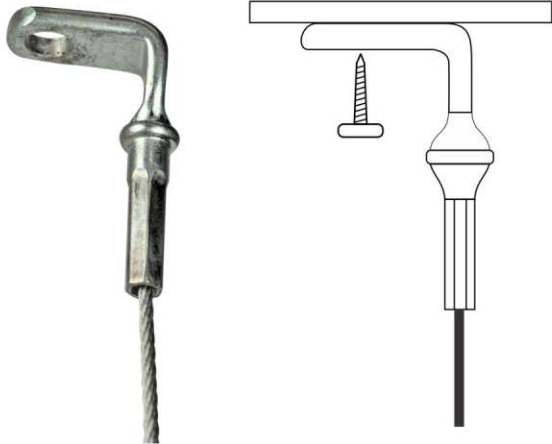
Wire Rope MS Galvanized IS228,(ASTM-D117)-2016, IS-6745-2011

Crimping Hexagonal

Wire Diameter	1.5mm	2mm	3.2mm
GPL Cable Blocker	GPCB-305	GPCB-289	GPCB-297
Safe Working Load (KG)	Up to 30	Up to 56	Up to 113
Wire Rope Construction	7 x 7	7 x 7	7 x 7

EYELET (90°)

Wire rope crimped with eyelet



Function:

Recommended for the suspension of HVAC, electrical and mechanical services.

Applications:

Suitable for a variety of applications that require bolting to brackets or fixtures.

Technical Data:

- SMACNA compliance - all products carry a 5:1 safety factor.
- As per UL 1598, CSA C22.2 No.250.0-08
- Tested & Certified by TUV Nord.

Material Specification

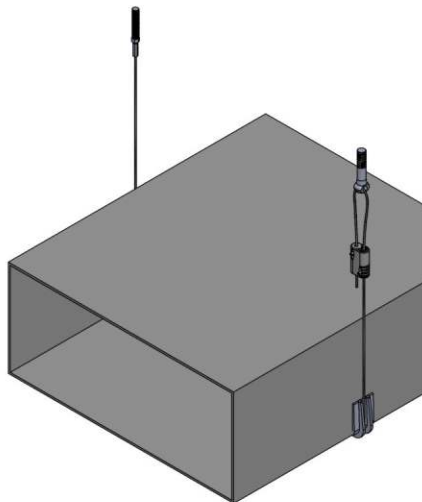
Eyelet MS Zn Trivalent (90°curved) / Cutout dia 6.5mm

Wire Rope MS Galvanized IS228,(ASTM-D117)-2016, IS-6745-2011

Crimping Hexagonal

Wire Diameter	1.5mm	2mm	3.2mm
GPL Cable Blocker	GPCB-305	GPCB-289	GPCB-297
Safe Working Load (KG)	Up to 30	Up to 56	Up to 113
Wire Rope Construction	7 x 7	7 x 7	7 x 7

EYE BOLT



Function:

Recommended for the suspension of HVAC, electrical and mechanical services

Applications:

Suitable for concrete ceiling, metal decking & pressed metal brackets.

Technical Data:

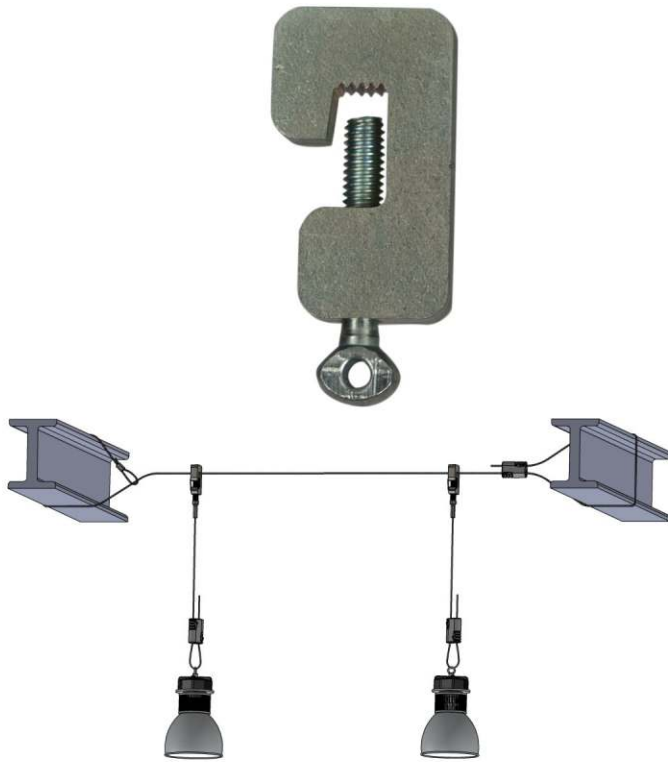
- SMACNA compliance - all products carry a 5:1 safety factor.
- As per UL 1598, CSA C22.2 No.250.0-08
- Tested & Certified by TUV Nord.

Material Specification

Eye Bolt MS White Zinc

Thread	M6	M8	M8	M10
Wire range	1.5 mm	2 mm	3.2 mm	5 mm
GPL Cable Blocker	GPCB-305	GPCB-289	GPCB-297	GPCB-298
Wire Rope Construction	7 x 7	7 x 7	7 x 7	7 x 7
Save Working Load (Kg)	Up to 30	Up to 56	Up to 113	Up to 300

CATENARY HANGER



Function:

Recommended for the suspension of HVAC, electrical and mechanical services (For indoor & stationary setting).

Applications:

Twists onto cable strut for suspending a service or a y-fit accessory hanger from purlins, beams, roof trusses and other accessible building features.

Technical Data:

- SMACNA compliance - all products carry a 5:1 safety factor
- As per UL 1598, CSA C22.2 No.250.0-08
- Tested & Certified by TUV Nord.

Material Specification

Clip MS White Zinc
Eye bolt MS White Zinc

Wire Diameter	1.5mm	2mm
GPL Cable Blocker	GPCB-305	GPCB-289
Safe Working Load (KG)	Up to 30	Up to 56
Wire Rope Construction	7 x 7	7 x 7

CORNER PROTECTOR



Function:

Recommended for wire rope safety on angular ducts (For indoor & stationary setting).

Applications:

Suitable for square & rectangular ducts.

Material Specification

Corner Protector Nylone 6
Color Black

Cable Spools

- Galvanised cable spools are available in various thicknesses and lengths.
- Stainless steel cable spools can be supplied on request.
- Remove Prefix - GW and add Prefix - SS in GPL code for stainless steel cables.

S.No.	Material	GPL Code	Cross Section	Thickness		Length	
				Inch.	mm.	Ft.	Mtr.
1	Galvanised	GW12300	7x7	3/64"	1.2	1000	300
2	Galvanised	GW15300	7x7		1.5	1000	300
3	Galvanised	GW16300	7x7	1/16"	1.6	1000	300
4	Galvanised	GW20300	7x7	5/64"	2.0	1000	300
5	Galvanised	GW24150	7x7	3/32"	2.4	500	150
6	Galvanised	GW32150	7x7	1/8"	3.2	500	150
7	Galvanised	GW48150	7x7 / 7x19	3/16"	4.8	500	150
8	Galvanised	GW50150	7x7 / 7x19		5.0	500	150



WIRE CROSS SECTION



MINIMUM SAFE WORKING LOADS (MSWL) FOR GPL GRIPPERS

- Mentioned loads are achieved using GPL gripper and GPL cable only.
- The 5:1 MSWL is tested and approved by TUV Nord Group.
- Loop Gripper load is achieved when used vertically in a looped configuration.

Precautions

- To ensure hanging system integrity, safety and load ratings use only GPL wire rope.
Do not use for loads beyond the safe working range of the product.
- Do not pass plastic coated cable through gripper.
- Do not apply any lubricant on any part of the assembly.
- Do not use if cable or components are visibly distorted or worn.
- Compliance with the Local or National Codes wherever applicable, is the buyer and/or installer's responsibility.
- Do not use in Chlorinated or caustic atmosphere, for dry locations only.

CABLE DIAMETER		WORKING MECHANISM	MINIMUM SAFE WORKING LOAD	
MM	INCH		BALL TYPE (NO. OF BALLS)	Kgs
1.2	3/64"	3 Balls	18	40
1.5			30	66
1.6	1/16"		30	66
2.0	5/64"		56	123
2.4	3/32"	6 Balls	80	176
3.0			100	220
3.2	1/8"		113	249
4.0	5/32"		200	440
4.8	3/16"		300	661
5.0			300	661
6.0		450	990	

Golden Peacock is a leading manufacturer & exporter of Precised Brass Parts, Lamp Holders, Cable Grippers, Wire Rope Suspension Systems, Display & Signage Systems, Lighting & Electrical accessories from India.

We have well equipped research lab with 20 plus patents to our credit along with highly experienced quality team which assure products of International standards.



We are serving over 200 customers spread across 40 countries

Manufacturing Facilities



Corporate Office : 20A, NSEZ,
Noida-201305, UP, India

Phone : 0120-4720251/54

mktg@goldenpeacock.com

Web : www.goldenpeacock.com

